

ROUND STAFF UL



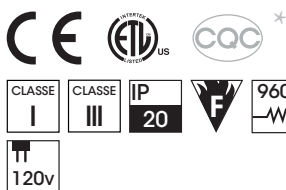
Caractéristique

Spot orientable encastré staff, basse luminance, montage EASY 13 système, montage rapide sur BA13
Spot diamètre 50, iodure.

Feature

Recessed low luminance staff spot EASY 13 mounting system for BA13.
Ceiling Diameter 50 mm, metal halid.

Montage sur staff préfabriqué
Mounting in prefabricated plaster



Puissance : 20-39 watts

Alimentation

Tension : 120-277 volts

Power: 20-39 Watts

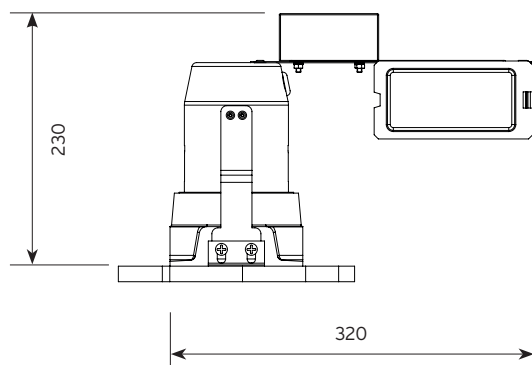
Power Supply

Voltage: 120-277 Volts

ROUNDSTAFF UL

Réf.	Type	Couleur
24390-ORUL12	ORUL12 Round staff UL GX10 iodure 35W 12°	Blanc

ROUNDSTAFF UL



*in process

ROUND STAFF UL

DISCLAIMER

Warnings and cautions

Pay special attention to informations provided in warnings and cautions indicated by the icons below.

Without access above ceiling, to change the ballast, you will have to reopen the ceiling whole of the fixture, take then replace it.



A WARNING

Indicates a procedure or situation that, if not avoided, could result in serious injury or death to the user.



A CAUTION

Indicates a procedure or situation that could result in injury to the user or physical damage.



A WARNING

1. This product must be installed in accordance with the applicable installation code by a person familiar with the construction and operation of the product and the hazard involved.
2. Turn off power before you begin installation.
Do not turn it back on during installation work, this is very dangerous.
3. Repair and conversion work are strictly prohibited, to do so may result in a serious accident.
4. Use rated voltage only, malfunction may occur otherwise.



A CAUTION

1. Follow instructions provided by the power source manufacturer to assure proper connection as this differs by manufacturer. Imperfect connections may result in an accident.
2. To prevent static damage, touch a metal to discharge static electricity from your body before you touch ROUND STAFF UL. ROUND STAFF UL may be damaged if static electricity be insufficiently discharged.
3. Make sure positive and negative connections are correct for wiring. Reverse connections may cause a failure.
4. Do not pull the cables roughly during wiring. Cables may break if you pull them with too much force. Pay careful attention to prevent a short circuit.
5. Join wires carefully so it's not interfering with light emission.
6. Do not use ROUND STAFF UL for purposes other than his original purpose.
You shall be held responsible for failures or damages in the event of failure to observe this.
7. Use connection terminals, etc., in wiring and connection processes to assure connections are correct and waterproof.
8. This is a built-in device, therefore a suitable enclosure shall be provided to prevent from any access in the end product.
9. Screw plate junction box after connecting cables.
10. Be careful, do not forget to put the removable plate include in the box.

ROUND STAFF UL

RELAMPING

20 WATTS & 39 WATTS

20 WATTS

1. Utiliser une ampoule de remplacement de maximum 20 watts, type MR 16 [désignation ANSI de l'ampoule].
 2. Protection inhérente.
 3. Accès requis au-dessus du plafond.
 4. Attention, risque d'incendie.
 5. Pour emplacements secs seulement (SOKA/OVALSTAFF ou ROUNDSTAFF / 120 V - 277 V - 20 W).
 6. Ne pas mettre l'isolant à moins de 76 mm (3 po) de toute partie du luminaire.
 7. Si l'ampoule de ce luminaire à protection thermique clignote, cela peut signifier une surchauffe.
 8. Utiliser seulement dans des installations où le degré de résistance au feu n'est pas établi.
1. *Relamp with max 20 watts type MR 16 [lamp ANSI designation] - format s24-11*
 2. *Inherently protected.*
 3. *Access above ceiling required.*
 4. *Caution - risk of fire.*
 5. *Dry locations only (SOKA/OVALSTAFF ou ROUNDSTAFF / 120 V - 277 V - 20W).*
 6. *Do not install insulation within 76 mm (3 in) of any part of the luminaire.*
 7. *Blinking light of this thermally protected luminaire may indicate overheating.*
 8. *For use in non-fire-rated installations only.*

39 WATTS

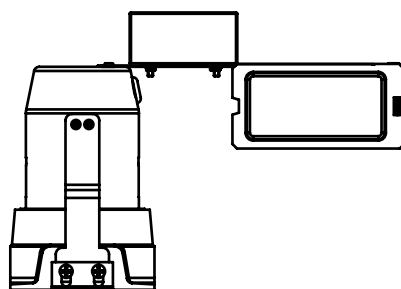
1. Utiliser une ampoule de remplacement de maximum 39 watts, type MR 16 [désignation ANSI de l'ampoule].
 2. Protection inhérente.
 3. Accès requis au-dessus du plafond.
 4. Attention, risque d'incendie.
 5. Pour emplacements secs seulement (SOKA/OVALSTAFF ou ROUNDSTAFF / 120 V - 277 V - 39 W).
 6. Ne pas mettre l'isolant à moins de 76 mm (3 po) de toute partie du luminaire.
 7. Si l'ampoule de ce luminaire à protection thermique clignote, cela peut signifier une surchauffe.
 8. Utiliser seulement dans des installations où le degré de résistance au feu n'est pas établi.
1. *Relamp with max 39 watts type MR 16 [lamp ANSI designation] - format s24-11*
 2. *Inherently protected.*
 3. *Access above ceiling required.*
 4. *Caution - risk of fire.*
 5. *Dry locations only (SOKA/OVALSTAFF ou ROUNDSTAFF / 120 V - 277 V - 39W).*
 6. *Do not install insulation within 76 mm (3 in) of any part of the luminaire.*
 7. *Blinking light of this thermally protected luminaire may indicate overheating.*
 8. *For use in non-fire-rated installations only.*

ROUND STAFF UL

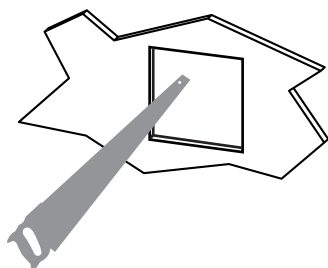
INSTRUCTION MANUAL

1. Housing installation - Placoplâtre® (plaster board) version

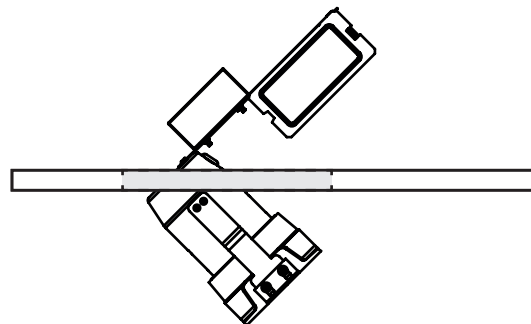
1 Unpacking



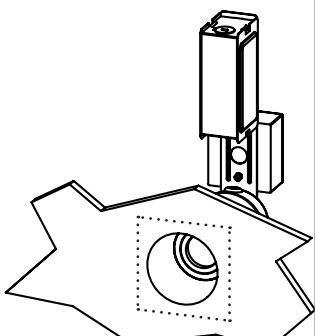
2 Cut a hole in the ceiling (120x120 mm).



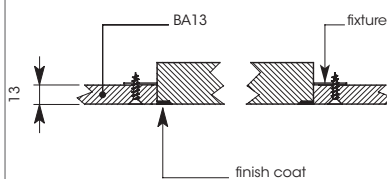
3 Pass the box and the dome through the hole.



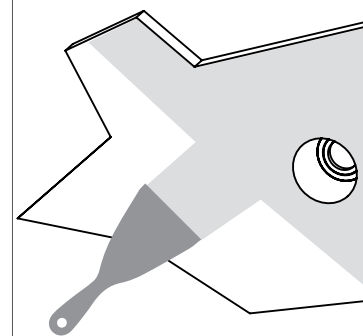
4 Adjust the ROUND STAFF UL to the ceiling.



5 After adjusting the ROUND STAFF UL, insert the screw through the ceiling to block and maintain the fixture.



6 Straighten, sand and put finish coat.

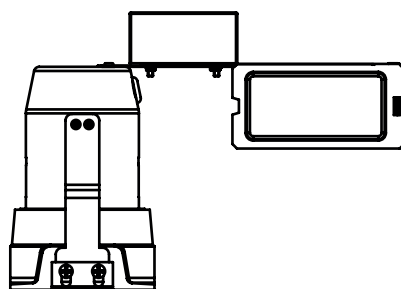


ROUND STAFF UL

INSTRUCTION MANUAL

2. Connection and installation of mounted spot.

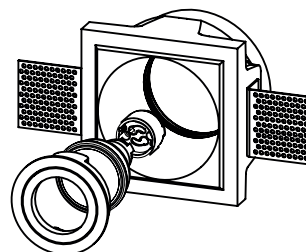
1 Spot overview after mounting.



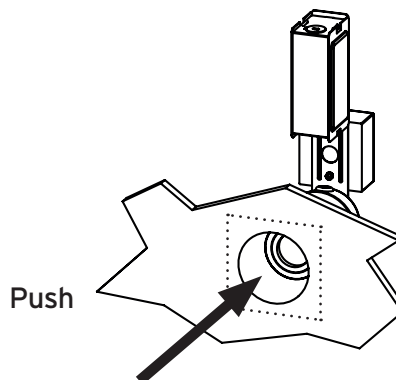
2 **STEP 1**
Cut off general electricity.



3 **STEP 2**
Follow the order of the movable part as shown.



4 **STEP 3**
Push the movable part into the plaster.



ROUND STAFF UL

